

# NL1

## NEPTUNE L380 B

### PRODUCT INTRODUCTION

NEPTUNE L380 B is a 260W Laser light source waterproof beam movinghead light. 230mm super large light-emitting lens, 1° extremely narrow beam angle, close to parallel beam, beam diameter is only 0.87 meters at a distance of 100 meters, and the illuminance is about 20000lux. The beam is stronger and sharp edges, and the beam formed by high-efficiency optics is like a bright beam. It is suitable for urban landscape, cultural tourism lighting, concerts, theme parks and other places.



### PRODUCT PARAMETERS

#### Optical system

Light source 260W LASER  
Angle 1.0°

#### Appearance

Size 416x358x712mm  
Weight 36.9kg  
Casing Magnalium and Die-cast  
Color Black

#### Electrical Specs

Voltage AC100-240,50/60Hz  
Max. Power 380W  
Power Connection power in  
Signal socket 3pin or 5pin in and out, RJ45 in and out

#### Control System

Pan/Tilt rotation 540°/270°(8-16bit)  
Dimmer 0-100%16Bit  
Cooling Forced Convection  
Control DMX512, RDM, ARTNET, SACN, W-DMX (optional), Web Server

Display On Board Control, Custom Mode, 0-25Hz Strobe  
Con Personality STANDARD(17CHS), BASIC(13CHS), EXTEND(19CHS)

#### Effect synthetic system

Static Gobo Static gobo wheel (29 gobos+white)  
Colors One color wheel (19 color+white, rainbow-flow effect)  
CTO+CTB 3000K/8000K CTO+CTB  
Prism One 16 prism, bidirectional rotating, speed can be adjusted

Linear prism 1pcs linear 6F prism, bidirectional rotating, speed can be adjusted  
Focus Motorized linear focus  
Frost 1 Frost filter

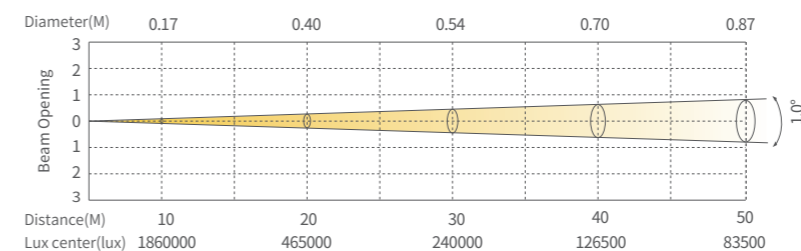
#### Certification

CE

#### Work Environment

Ambient Temp -20°C-45°C  
IP Rated IP66

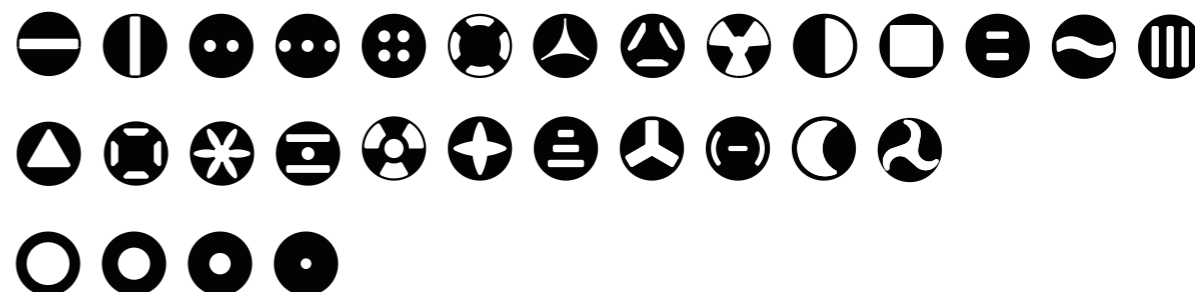
### ILLUMINANCE AT DISTANCE



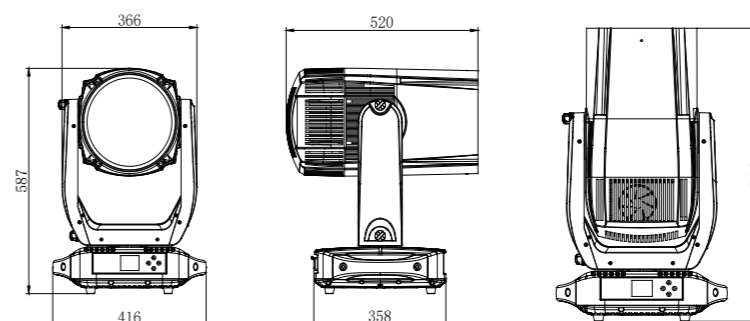
### COLOR



### STATIC GOBOS



### DIMENSIONS



Flight Case  
(1320400262)

Wireless receiver Kit  
(2440010465)