

图纸编码	RD-SS2151-SM-02(SS-I)			版本号	A
SS2151XLEM/SS2151XLET 英文说明书				编辑日期	2024/7/29
制作	刘丽萍	审核	白丹	批准	余泽松
物料编码	1320109855				
说明					
备注	以 A4 样本打印				F

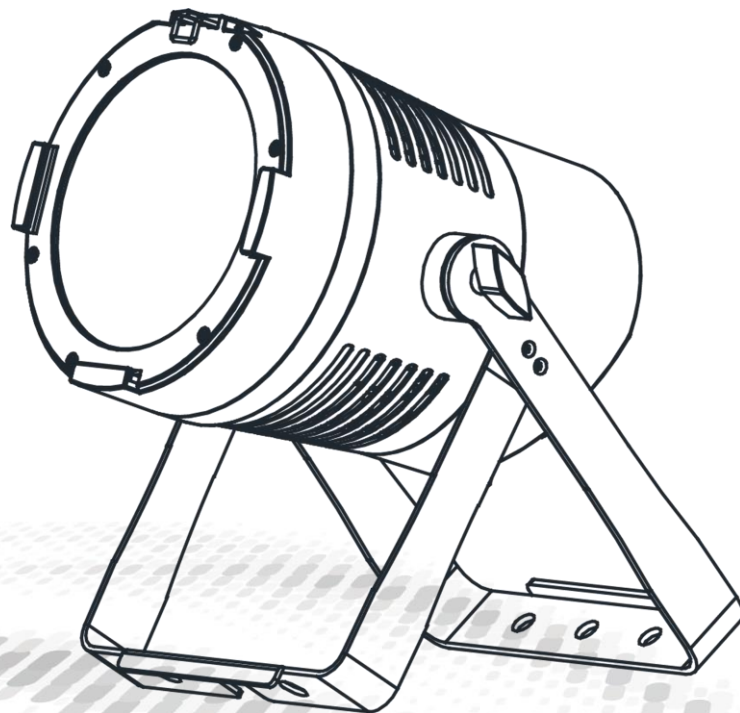


创意源于追求
Own Idea Of Lighting

TV-ONE USER MANUAL



TV-ONE
SS2151



MODEL: SS2151XLEM/SS2151XLET



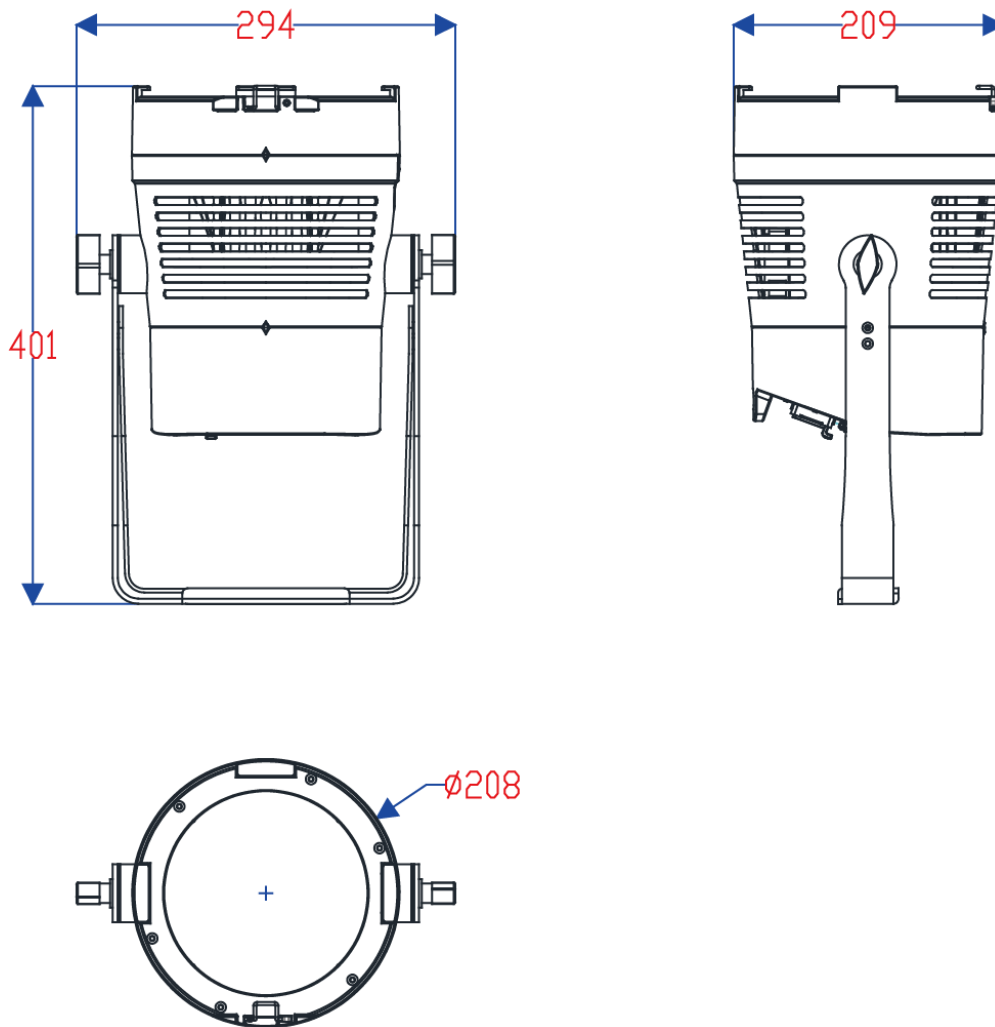
广州市雅江光电设备有限公司
Guangzhou Yajiang Photoelectric Equipment Co., Ltd.
电话/Tel: 020-86947788 邮箱/E-mail: sales@yajiang.cn
传真/Fax: 020-86943773 网址/Website: www.yajiang.cn

1 PRODUCT

1.1 TECHNICAL SPECIFICATIONS

Type	SS2151XLEM/SS2151XLET
LED colors	RGBL*12PCS
Power	200W
Voltage Range	100-240V~,50/60Hz
Protection	IP66
Operation Temperature	-20°C~45°C
Dimensions	401x294x209mm
Weight	5.5kg

DIMENSIONS



1.2 Safety Notes

IMPORTANT

- This product must be installed by a qualified professional.
- In order to maintain this condition and to ensure a safe operation, it is absolutely necessary for the user to follow the safety instructions and warning notes
- The manufacturer will not accept liability for any resulting damages caused by the non-observance of this manual or any unauthorized modification to the device.

CAUTION!

- Make sure that the available voltage is not higher than stated on the rear panel.
- Do not touch the power cables if your hands are wet.
- The earth wire must always be connected to the ground. Therefore it is essential to connect the yellow/green conductor to earth.
- Make sure that the power-cord is never crimped or damaged by sharp edges. Check the device and the power-cord from time to time. The electric connection, repairs and servicing must be carried out by a qualified employee.
- Always disconnect power input cable to completely remove power from unit when not in use or before cleaning or servicing the fixture.
- Do not switch the fixture on and off in short intervals as this would reduce the lamp's life.
- Do not touch the device's housing bare hands during its operation (housing becomes hot)! The surface of the product's casing can reach up to 60 C (140F) during operation. Avoid contact by persons and materials. Do not install the product in a location where there is a risk of accidental contact. Allow the product to cool for at least 10 minutes before handling.
- For replacement use lamps and fuses of same type and rating only.
- Please protect the fixture and avoid destroy during transport and installation. If there is any damage to the coating, the shell may be corroded.
- When hanging lamps and lanterns, it is necessary to verify that facilities and hooks can bear at least 10 times the weight of lamps and lanterns.
- Fix the safety rope at the correct holes only. Only operate the fixture after having checked that the housing is firmly closed and all screws are tightly fastened.
- The maximum ambient temperature 45°C must never be exceeded. Do not operate the product if the ambient temperature (Ta) exceeds 45° C (115° F).

Electrical Warning

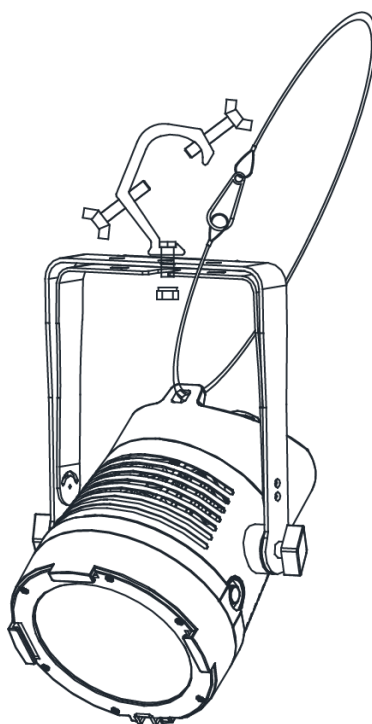
- The light source contained in this luminaire shall only be replaced by the manufacturer or his service agent or a similar qualified person

2 INSTALLATION

2.1 MOUNTING

UPRIGHT

- ◆ Keep all combustible materials (e.g. fabric, wood, paper) at least 500 mm (20 in.) away from the product.
- ◆ For overhead use, always install a safety cable that can hold at least 10 times the weight of the fixture.
- ◆ For overhead installation, the fixture must be always secured with a safety wire that can bear at least 10 times the weight of the fixture; Secure the fixture with a safety cable through the rear safety eye as shown.
- ◆ Ensure that the structure (truss) to which you are attaching the fixture is secure



Hanging layout

2.2 POWER CONNECTIONS

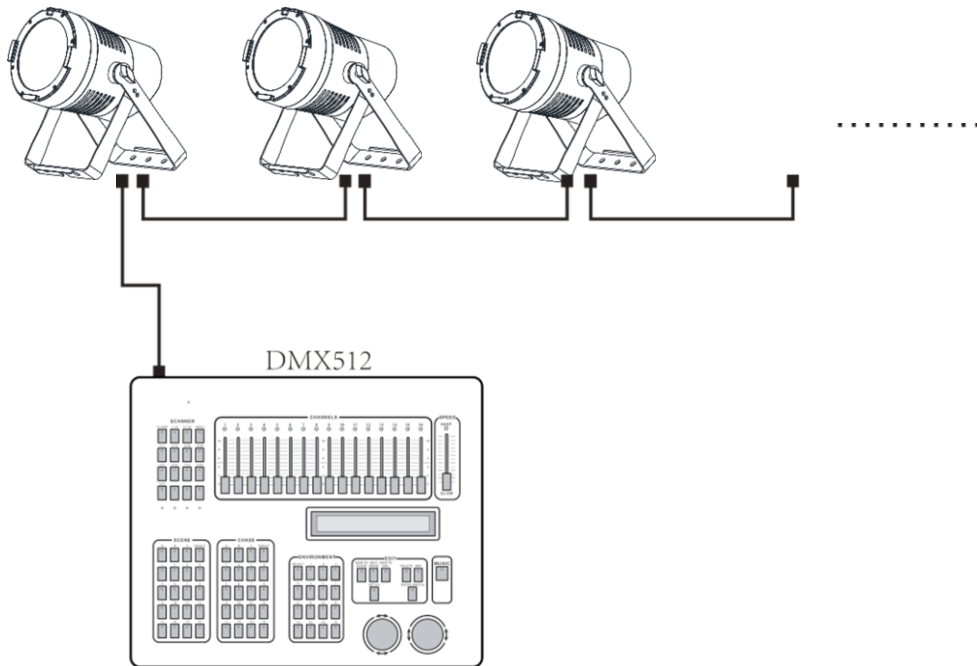
- ◆ POWER Linking: 8 units@110V; 15units@220V.
- ◆ This product has an auto-ranging power supply that can work with an input voltage range of 100–240 VAC, 50/60 Hz.

AC Plug

Connection	Wire (U.S.)	Wire(Europe)	Screw Color
AC Live	Black	Brown	Yellow/Brass
AC Neutral	White	Blue	Silver
AC Ground	Green/Yellow	Green/Yellow	Green

2.3 Data network requirements

- ◆ Connect the DMX512 controller to the units in series. A DMX 512 data link is required in order to control the fixture via DMX. The fixture has 3/5-pin XLR connectors for DMX data input and output.
- ◆ Each unit has N DMX channels so the DMX Addresses should increase by increments of 1, (Nx1)+1, (Nx2)+1, (Nx3)+1...
- ◆ Any DMX address in the range from 001 to 512 may be used.



3 FUNCTIONS AND SETTINGS

3.1 DISPLAY OPERATION

- ◆ MENU: Used to access the menu or to return a previous menu option;
- ◆ ENTER: Used to select and store the current menu or confirm the current function value or option within a menu;
- ◆ UP: Navigates downwards through the menu list and increases the numeric value when in a function;
- ◆ DOWN: Navigates upwards through the menu list and decreases the numeric value when in a function;

3.2 Menu Map

STATI C	RED	0-255	Combine [RED][GREEN][BLUE][LIME] to create an infinite range of colors(0-255). Set the value of the [STROBE](0-25Hz).
	GREEN	0-255	
	BLUE	0-255	
	LIME	0-255	
	STROBE	0-25	
	FROST	0-255	
	CCT	1800K	Preset color temperatures
		2200K	
		2700K	
		3000K	
		3200K	
		4000K	
		4500K	
		5000K	
		5600K	
		6000K	
		6500K	
		7000K	
		8000K	
	10000K		
PRESET COLOR	COLOR 1	Preset color (See Annex I for details)	
	COLOR 2		
	...		
	COLOR 24		
CMY	CYAN	Cyan、Magenta、Yellow color	
	MAGENTA		
	YELLOW		
ADDR ESS	001-512 (default001)		Set the DMX ADDRESS

RUN MODE	DMX (default)		[DMX] Using the DMX 512 controller to control; [SLAVE] Master--Slave operation.		
	SLAVE				
PERS ON	BASIC		Use the menu to select desired channel mode		
	SSP				
	TOUR (default)				
	TR16				
	HSIC				
CMY					
AUTO PROGRAM	AUTO 1	0-255		Selects automatic AUTO program and AUTO program speed. Programs [CUSTOM 1] to [CUSTOM 2] are fully pre-programmed and can be edited in [EDIT] mode.	
	AUOT 2	0-255			
	...	0-255			
	AUTO 10	0-255			
	PR 1				
PR 2					
EDIT	PROGRAM 1-2	SCENE 01-10	RED	0-255	Enter the [EDIT] mode to edit the custom programs [PROGRAM01] to [PROGRAM2]. Each custom program has 30 scenes that can be edited. Fade transition time, time 0-255 unit is second, fade time setting should be less than time setting. After editing the program, Play in AUTO.
			GREEN	0-255	
			BLUE	0-255	
			LIME	0-255	
			STROBE	0-25	
			FROST	0-255	
			TIME	0-255	
			FADE	0-255	
	UPLOAD	****	SEND		Select [UPLOAD] to upload the custom programs
SETTING	****	RESET	****	RESET	Restore factory settings
		DIMMER SPEED	HALOGEN (default)		Dimming speed LED (fast) to HALOGEN (slow);
			LED		
		DIMMER CURVE	LINEAR		Dimmer curves selection
			SQUARE LAW (default)		
			INV.SQUARE LAW		
			S-CURVE		
		Tungsten Fade	On		Tungsten Fade
			Off (default)		
		DMX ERROR	SAVE (default)		Hold after loss of DMX signal
			BLACK		Blackout after loss of DMX signal
		PWM_RATE	1200HZ (default)		Sets the PWM frequency
			2400HZ		
4000HZ					
6000HZ					
25000HZ					
PERFORM	LIVE (default)		Fan mode low speed		

			POWER	Fast rotation of fan, all power	
			STUDIO	Automatic rotation of fan	
		DISP KEY	ON (default)	Locks display (passcode is <UP>, <DOWN>, <UP>, <DOWN>, <ENTER>)	
			OFF		
		DISP TIME	ON	Display backlight always on	
			10s	Turns off display backlight after 10s/30s /2min of inactivity	
			30s (default)		
			2min		
		LANGUAGE	****	Language selection	
			Chinese		
			English(Default)		
		Color Cali	OFF	Full power mode	
			User	RED 0-255	Manual calibration mode
			Calibr	GREEN 0-255	
			ation	BLUE 0-255	
				LIME 0-255	
			Factory Calibration (default)	Factory calibration mode	
WIRE LESS	WIFI	WIFIMODE	STATION	WiFi settings	
			AP		
		SSID	YJSS2151		
		PASSWORD	Yj000001		
		LOCAL IP	XXX:XXX:XXX:XXX		
		REMOTE IP	XXX:XXX:XXX:XXX		
		MAC	XX:XX:XX:XX:XX		
		WIFI	NO		
		RESTART	YES		
	WIFI DEFAULT	NO			
		YES			
	BLUETO OTH	MAC	XX:XX:XX:XX:XX	Bluetooth Settings	
		NAME	YJSS2151		
INFO	FIXTURE HOURS			Hours of fixture use	
	VERSION			Software versions	
	RDM	UID	0x388Axxxxxxx	Check fixture's ID	
		LABEL	TV-ONE	Check fixture's LABEL	
All passwords of this product are <UP>, <DOWN>, <UP>, <DOWN>, <ENTER>					

4 USING A DMX512 CONTROLLER

4.1 DMX CONTROL

BASIC (4CH)	SSP (7CH)	TOUR (12CH)	TR16 (17CH)	Value	Function
Channel					
CH.1	CH.1	CH.1	CH.1	0-255	DIMMER
			CH.2	0-255	DIMMER FINE
	CH.2	CH.2	CH.3	0-255	RED
			CH.4	0-255	RED FINE
	CH.3	CH.3	CH.5	0-255	GREEN
			CH.6	0-255	GREEN FINE
	CH.4	CH.4	CH.7	0-255	BLUE
			CH.8	0-255	BLUE FINE
	CH.5	CH.5	CH.9	0-255	LIME
			CH.10	0-255	LIME FINE
CH.2		CH.6	CH.11	PRESET COLOR	
				0-10	NO FUNCTION
				11-255	PRESET COLOR (See Annex I for details)
CH.3		CH.7	CH.12	CCT	
				0-9	NO FUNCTION
				10	1800K
				25	2200K
				40	2700K
				55	3000K
				70	3200K
				85	4000K
				100	4500K
				115	5000K
				130	5600K
				145	6000K
				160	6500K
				175	7000K
				190	8000K
205	10000K				
255	10000K				
		CH.8	CH.13	AUTO	
				0-40	NO FUNCTION
				41-50	AUTO1
				51-60	AUTO2
				61-70	AUTO3
			71-80	AUTO4	

				81-90	AUTO5
				91-100	AUTO6
				101-110	AUTO7
				111-120	AUTO8
				121-130	AUTO9
				131-140	AUTO10
				141-150	CUSTOM1
				151-160	CUSTOM2
				161-255	NO FUNCTION
		CH.9	CH.14	0-255	AUTO SPEED ADJUSTMENT
	CH.6	CH.10	CH.15	Effect of center STROBE	
				0-9	NO FUNCTION
				10-99	STROBE FROM (SLOD TO FAST , 0-25Hz)
				100-109	NO FUNCTION
				110-179	LIGHTNING STROBE
				180-189	NO FUNCTION
				190-255	RANDOM STROBE
CH.4	CH.7	CH.11	CH.16	0-255	FROST 0-100%
				CONTROL (EXECUTE AFTER 3 SECONDS)	
				000-010	NO FUNCTION
				011-060	RESERVED
				061-070	STUDIO
				071-080	POWER
				081-090	LIVE
				091-100	DIMMER SPEED OFF
				101-110	DIMMER SPEED HALOGEN
				111-120	LINEAR
		CH.12	CH.17	121-130	SQUARE LAW
				131-140	INV. SQUARE LAW
				141-150	S-CURVE
				151-160	1200Hz
				161-170	2400Hz
				171-180	4000Hz
				181-190	6000Hz
				191-200	25000Hz
				201-210	ALL RESET
				211-255	RESERVED

HSIC (8CH)		
Channel	Value	Function
CH.1	0-255	INTENSIYT
CH.2	0-255	HUE
CH.3	0-255	HUE FINE

CH.4	0-255	SATURATION
CH.5	CCT	
	0-9	NO FUNCTION
	10	1800K
	25	2200K
	40	2700K
	55	3000K
	70	3200K
	85	4000K
	100	4500K
	115	5000K
	130	5600K
	145	6000K
	160	6500K
	175	7000K
	190	8000K
	205	10000K
255	10000K	
CH.6	STROBE	
	0-9	NO FUNCTION
	10-99	STROBE FROM (SLOW TO FAST ,0-25Hz)
	100-109	NO FUNCTION
	110-179	LIGHTNING STROBE
	180-189	NO FUNCTION
190-255	RANDOM STROBE	
CH.7	0-255	FROST 0-100%
CH.8	CONTROL (EXECUTE AFTER 3 SECONDS)	
	000-010	NO FUNCTION
	011-060	RESERVED
	061-070	STUDIO
	071-080	POWER
	081-090	LIVE
	091-100	DIMMER SPEED OFF
	101-110	DIMMER SPEED HALOGEN
	111-120	LINEAR
	121-130	SQUARE LAW
	131-140	INV. SQUARE LAW
	141-150	S-CURVE
	151-160	1200Hz

	161-170	2400Hz
	171-180	4000Hz
	181-190	6000Hz
	191-200	25000Hz
	201-210	ALL RESET
	211-255	RESERVED

CMY (11CH)		
Channel	Value	Function
CH.1	0-255	DIMMER
CH.2	0-255	CYAN
CH.3	0-255	MAGENT
CH.4	0-255	YELLOW
CH.5	PRESET COLOR	
	0-10	NO FUNCTION
	11-255	PRESET COLOR
CH.6	CCT	
	0-9	NO FUNCTION
	10	1800K
	25	2200K
	40	2700K
	55	3000K
	70	3200K
	85	4000K
	100	4500K
	115	5000K
	130	5600K
	145	6000K
	160	6500K
	175	7000K
	190	8000K
205	10000K	
255	10000K	
CH.7	AUTO	
	0-40	NO FUNCTION
	41-50	AUTO1
	51-60	AUTO2
	61-70	AUTO3
	71-80	AUTO4
	81-90	AUTO5
	91-100	AUTO6
101-110	AUTO7	

	111-120	AUTO8
	121-130	AUTO9
	131-140	AUTO10
	141-150	CUSTOM1
	151-160	CUSTOM2
	161-255	NO FUNCTION
CH.8	0-255	AUTO SPEED ADJUSTMENT
	Effect of center STROBE	
	0-9	NO FUNCTION
	10-99	STROBE FROM (SLOD TO FAST, 0-25Hz)
CH.9	100-109	NO FUNCTION
	110-179	LIGHTNING STROBE
	180-189	NO FUNCTION
	190-255	RANDOM STROBE
CH.10	0-255	FROST 0-100%
	CONTROL (EXECUTE AFTER 3 SECONDS)	
	000-010	NO FUNCTION
	011-060	RESERVED
	061-070	STUDIO
	071-080	POWER
	081-090	LIVE
	091-100	DIMMER SPEED OFF
	101-110	DIMMER SPEED HALOGEN
	111-120	LINEAR
CH.11	121-130	SQUARE LAW
	131-140	INV. SQUARE LAW
	141-150	S-CURVE
	151-160	1200Hz
	161-170	2400Hz
	171-180	4000Hz
	181-190	6000Hz
	191-200	25000Hz
	201-210	ALL RESET
	211-255	RESERVED

Annex 1

PRESET COLOR	Value	Color Names	x	y	
	0-10	NO FUNCTION			
	11-15	RESERVE	Loving Amber	0.407	0.321
COLOR 1	16-20	R40	Light Salmon	0.499	0.321
COLOR 2	21-25	L24	Scarlet	0.561	0.296
COLOR 3	26-30	L164	Flame Red	0.659	0.302
	31-35	RESERVE	Easy White	0.389	0.344
	36-40	RESERVE	Warm Peach	0.448	0.353
COLOR 4	41-45	L08	Dark Salmon	0.498	0.347
COLOR 5	46-50	L25	Sunset Red	0.566	0.359
	51-55	RESERVE	Medium Bastard Amber	0.37	0.335
COLOR 6	56-60	L237	CID(To Tungsten)	0.43	0.365
COLOR 7	61-65	R321	Soft Golden Amber	0.477	0.406
COLOR 8	66-70	L652	Urban Sodium	0.535	0.399
	71-75	RESERVE	LCT Yellow(Y1)	0.34	0.363
COLOR 9	76-80	L765	LEE Yellow	0.389	0.412
COLOR 10	81-85	L513	Ice And A Slice	0.38	0.447
	86-90	RESERVE	Spring Yellow	0.41	0.502
	91-95	RESERVE	LEE Plus Green	0.324	0.388
	96-100	RESERVE	CalColor 30 Green	0.318	0.44
	101-105	RESERVE	Fern Green	0.234	0.543
COLOR 11	106-110	L90	Dark Yellow Green	0.184	0.641
	111-115	RESERVE	LEE Fluorescent3600K	0.286	0.37
COLOR 12	116-120	R92	Tuiquoise	0.235	0.36
	121-125	RESERVE	Kelly Green	0.185	0.459
	126-130	RESERVE	Forest Green	0.162	0.496
	131-135	RESERVE	Cosmetic Aqua Blue	0.3	0.318
COLOR 13	136-140	L728	Steel Green	0.256	0.302
COLOR 14	141-145	L117	Steel Blue	0.223	0.278
COLOR 15	146-150	L354	Special Steel Blue	0.173	0.265
	151-155	RESERVE	Paler Lavender	0.284	0.284
COLOR 16	156-160	L501	New Colour Blue	0.246	0.249
COLOR 17	161-165	L174	Dark Steel Blue	0.204	0.205
	166-170	RESERVE	Daylight Blue	0.159	0.158
	171-175	RESERVE	Pale Lavender	0.288	0.254
	176-180	RESERVE	Surprise Pink	0.24	0.183
COLOR 18	181-185	L142	Pale Violet	0.209	0.148
	186-190	RESERVE	Perfect Lavender	0.177	0.07
	191-195	RESERVE	Light Pink	0.335	0.289
COLOR 19	196-200	L794	Pretty'n Pink	0.335	0.251
COLOR 20	201-205	L328	Follies Pink	0.335	0.18
	206-210	RESERVE	Magical Magenta	0.327	0.138
	211-215	RESERVE	Pale Rose	0.35	0.318
COLOR 21	216-220	L127	Smokey Pink	0.397	0.265
COLOR 22	221-225	L192	Flesh Pink	0.41	0.237
	226-230	RESERVE	Special Rose Pink	0.465	0.193
	231-235	RESERVE	Moroccan Pink	0.378	0.324
COLOR 23	236-240	L157	Pink	0.457	0.272
COLOR 24	241-245	R332	Cherry Rose	0.489	0.295
	246-250	RESERVE	Cool LED Bright Pink	0.57	0.263
	251-255	NO FUNCTION			