

|                   |                        |    |     |      |           |
|-------------------|------------------------|----|-----|------|-----------|
| 图纸编码              | RD-AM1431-SM-13(ARC-I) |    |     | 版本号  | A         |
| AM1431KXLET 英文说明书 |                        |    |     | 编辑日期 | 2024/8/26 |
| 制作                | 刘丽萍                    | 审核 | 韩子晓 | 批准   | 余泽松       |
| 物料编码              | 1320109866             |    |     |      |           |
| 修改内容              |                        |    |     |      |           |
| 备注                | 以 A4 样本打印              |    |     |      | F         |

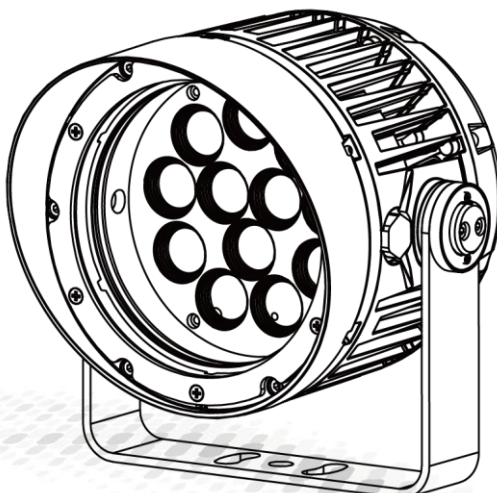


创意源于追求  
Own Idea Of Lighting

# KS2

## USER MANUAL

**arctik**<sup>®</sup> KS2  
ARCHITECTURAL TECHNOLOGY AM1431



**MODEL: AM1431KXLET**



广州市雅江光电设备有限公司  
Guangzhou Yajiang Photoelectric Equipment Co., Ltd.  
电话/Tel:020-86947788 邮箱/E-mail:sales@yajiang.cn  
传真/Fax:020-86943773 网址/Website:www.yajiang.cn

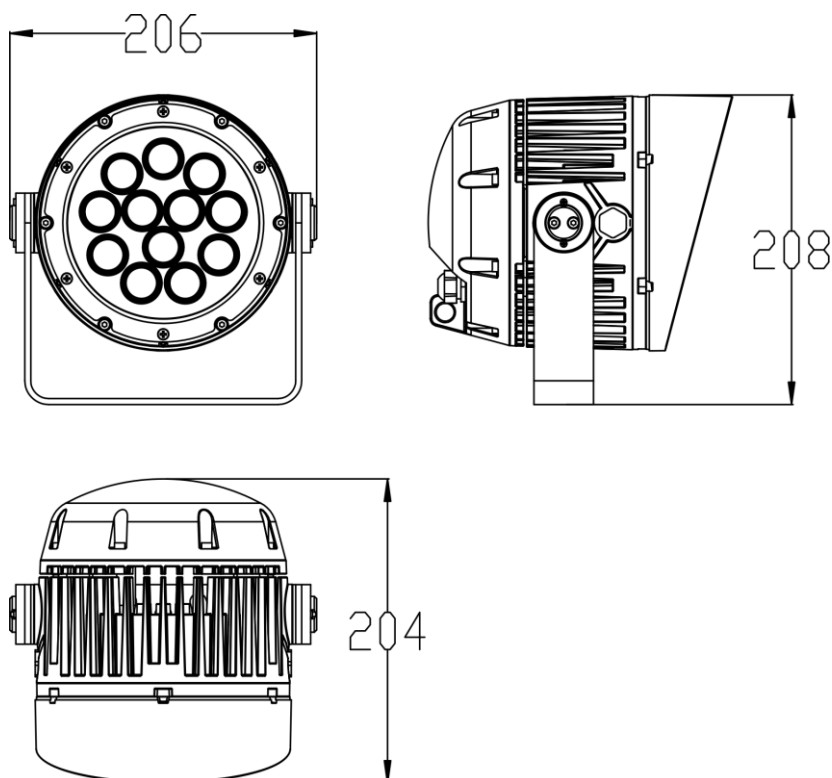
Since 1985

# 1 PRODUCT

## 1.1 TECHNICAL SPECIFICATIONS

|                       |                   |
|-----------------------|-------------------|
| Type                  | AM1431KXLET       |
| Power                 | 80W               |
| Voltage Range         | 100-240V~,50/60Hz |
| Protection            | IP67              |
| Operation Temperature | -20°C~45°C        |
| Dimensions            | 204X206X208mm     |
| Weight                | 4.2kg             |

## DIMENSIONS



## 1.2 Safety Notes

### **IMPORTANT**

- This product must be installed by a qualified professional.
- In order to maintain this condition and to ensure safe operation, it is absolutely necessary for the user to follow the safety instructions and warning notes
- The manufacturer will not accept liability for any resulting damages caused by the non-observance of this manual or any unauthorized modification to the device.

### **CAUTION!**

- Make sure that the available voltage is not higher than stated on the rear panel.
- Do not touch the power cables if your hands are wet.
- The earth wire must always be connected to the ground. Therefore it is essential to connect the yellow/green conductor to earth.
- Make sure that the power-cord is never crimped or damaged by sharp edges. Check the device and the power-cord from time to time. The electric connection, repairs and servicing must be carried out by a qualified employee.
- Always disconnect power input cable to completely remove power from unit when not in use or before cleaning or servicing the fixture.
- Do not switch the fixture on and off in short intervals as this would reduce the lamp's life.
- Do not touch the device's housing bare hands during its operation (housing becomes hot)! The surface of the product's casing can reach up to 70° C (158° F) during operation. Avoid contact by persons and materials. Do not install the product in a location where there is a risk of accidental contact. Allow the product to cool for at least 10 minutes before handling.
- For replacement use lamps and fuses of same type and rating only.
- Please protect the fixture and avoid destroy during transport and installation. If there is any damage to the coating, the shell may be corroded.
- When hanging lamps and lanterns, it is necessary to verify that facilities and hooks can bear at least 10 times the weight of lamps and lanterns.
- Fix the safety rope at the correct holes only. Only operate the fixture after having checked that the housing is firmly closed and all screws are tightly fastened.
- The maximum ambient temperature 45°C must never be exceeded. Do not operate the product if the ambient temperature (Ta) exceeds 45° C (115° F).
- The minimum ambient temperature (Ta min.): -40° C.
- When the temperature reaches the above upper limit, the fixture regulates output to protect from overheating.

### **Electrical Warning**

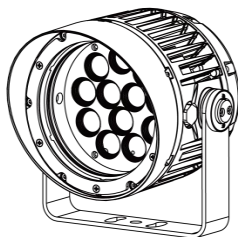
- The light source contained in this luminaire shall only be replaced by the manufacturer or his service agent or a similar qualified person

# 2 INSTALLATION

## 2.1 MOUNTING

### HANGING

- ◆ You could place the light on the floor. Please make sure the surface is plane and the reliability of the floor is sufficient.
- ◆ Bolt a rigging clamp securely to the mounting yoke. The bolts used must be M12, grade 8.8 steel minimum, and fastened with a self-locking nut.



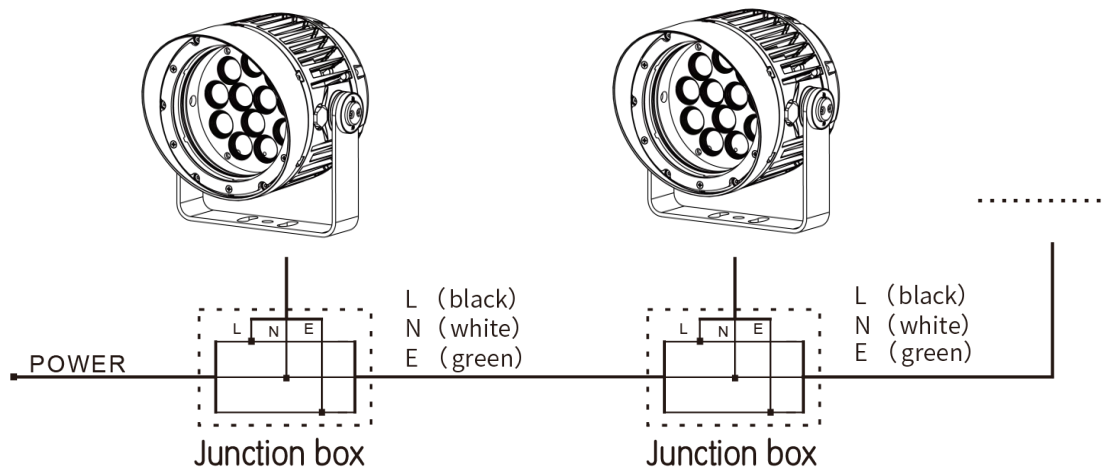
Horizontal layout

## 2.2 POWER CONNECTIONS

- ◆ This product has an auto-ranging power supply that can work with an input voltage range of 100–240 VAC, 50/60 Hz.

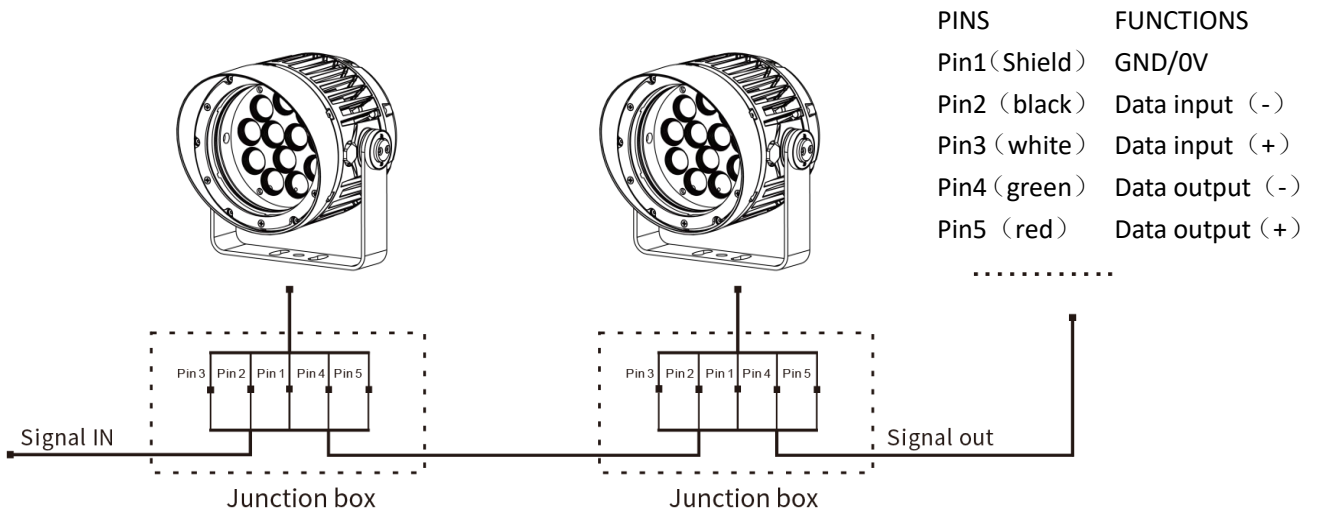
AC Plug

| Connection | Wire (U.S.)  | Wire(Europe) | Screw Color  |
|------------|--------------|--------------|--------------|
| AC Live    | Black        | Brown        | Yellow/Brass |
| AC Neutral | White        | Blue         | Silver       |
| AC Ground  | Green/Yellow | Green/Yellow | Green        |



## 2.3 Data network requirements

- ◆ Connect the DMX512 controller to the units in series. A DMX 512 data link is required in order to control the fixture via DMX. The fixture has 3/5-pin XLR connectors for DMX data input and output.
- ◆ Each unit has N DMX channels so the DMX Addresses should increase by increments of 1, (Nx1)+1, (Nx2)+1, (Nx3)+1...
- ◆ Any DMX address in the range from 001 to 512 may be used.



# 3 USING A DMX512 CONTROLLER

## 3.1 DMX CONTROL

Note: This product has seven DMX512 channel configurations: ARC1, ARC1+D, ARC2, ARC2+D, SOLID, ARC FULL, SPECIAL2.

| DMX Modes |       | SOLID    | ARC1  | ARC1+D | ARC2           | ARC2+D         |
|-----------|-------|----------|-------|--------|----------------|----------------|
| CHANNEL   | VALUE | FUNCTION |       |        |                |                |
| 1         | 0-255 | ALL LED  | RED   | DIMMER | RED            | DIMMER         |
| 2         | 0-255 |          | GREEN | RED    | GREEN          | RED            |
| 3         | 0-255 |          | BLUE  | GREEN  | BLUE           | GREEN          |
| 4         | 0-255 |          |       | BLUE   | LIME/CCT WHITE | BLUE           |
| 5         | 0-255 |          |       |        |                | LIME/CCT WHITE |

| ARC FULL | SPECIAL2                     | VALUE               | FUNCTION                     |
|----------|------------------------------|---------------------|------------------------------|
| CHANNEL  |                              |                     |                              |
| 1        | 1                            | 0-255               | DIMMER                       |
| 2        | 2                            | 0-255               | RED                          |
| 3        | 3                            | 0-255               | GREEN                        |
| 4        | 4                            | 0-255               | BLUE                         |
|          | 5                            | 0-255               | LIME/CCT WHITE               |
| 5        | 6                            | <b>PRESET COLOR</b> |                              |
|          |                              | 0-10                | NO FUNCTION                  |
|          |                              | 11-255              | PRESET COLOR                 |
| 6        | 7                            | <b>CCT</b>          |                              |
|          |                              | 0-9                 | NO FUNCTION                  |
|          |                              | 10                  | 1800K                        |
|          |                              | 10-25               | 1800-2200K Linear transition |
|          |                              | 25                  | 2200K                        |
|          |                              | 25-40               | 2200-2700K Linear transition |
|          |                              | 40                  | 2700K                        |
|          |                              | 40-55               | 2700-3000K Linear transition |
|          |                              | 55                  | 3000K                        |
|          |                              | 55-70               | 3000-3200K Linear transition |
|          |                              | 70                  | 3200K                        |
|          |                              | 70-85               | 3200-4000K Linear transition |
|          |                              | 85                  | 4000K                        |
|          |                              | 85-100              | 4000-4500K Linear transition |
|          |                              | 100                 | 4500K                        |
|          |                              | 100-115             | 4500-5000K Linear transition |
| 115      | 5000K                        |                     |                              |
| 115-130  | 5000-5600K Linear transition |                     |                              |
| 130      | 5600K                        |                     |                              |
| 130-145  | 5600-6000K Linear transition |                     |                              |

|         |                |  |                               |
|---------|----------------|--|-------------------------------|
|         |                | 145                                      | 6000K                         |
|         |                | 145-160                                  | 6000-6500K Linear transition  |
|         |                | 160                                      | 6500K                         |
|         |                | 160-175                                  | 6500-7000K Linear transition  |
|         |                | 175                                      | 7000K                         |
|         |                | 175-190                                  | 7000-8000K Linear transition  |
|         |                | 190                                      | 8000K                         |
|         |                | 190-205                                  | 8000-10000K Linear transition |
|         |                | 205-255                                  | 10000K                        |
| 7       | 8              | <b>STROBE</b>                            |                               |
|         |                | 0-9                                      | NO FUNCTION                   |
|         |                | 10-255                                   | 1-25Hz                        |
| 8       | 9              | <b>CONTROL (EXECUTE AFTER 3 SECONDS)</b> |                               |
|         |                | 000-010                                  | NO FUNCTION                   |
|         |                | 011-100                                  | RESERVED                      |
|         |                | 101-110                                  | DIMMER OFF                    |
|         |                | 111-120                                  | DIMMER DIM4                   |
|         |                | 121-130                                  | LIME MODE (Default)           |
|         |                | 131-140                                  | LIME TO 1800K                 |
|         |                | 141-150                                  | LIME TO 2200K                 |
|         |                | 151-160                                  | LIME TO 2700K                 |
|         |                | 161-170                                  | LIME TO 3000K                 |
|         |                | 171-180                                  | LIME TO 3200K                 |
|         |                | 181-190                                  | LIME TO 4000K                 |
|         |                | 191-200                                  | LIME TO 4500K                 |
|         |                | 201-210                                  | LIME TO 5000K                 |
|         |                | 211-220                                  | LIME TO 5600K                 |
|         |                | 221-230                                  | LIME TO 6000K                 |
|         |                | 231-240                                  | LIME TO 6500K                 |
|         |                | 241-245                                  | LIME TO 7000K                 |
|         |                | 246-250                                  | LIME TO 8000K                 |
| 251-255 | LIME TO 10000K |  |                               |



# Annex 1

| PRESET COLOR | Value   | Color Names | x                    | y     |       |
|--------------|---------|-------------|----------------------|-------|-------|
|              | 0-10    | NO FUNCTION |                      |       |       |
|              | 11-15   | RESERVE     | Loving Amber         | 0.407 | 0.321 |
| COLOR 1      | 16-20   | R40         | Light Salmon         | 0.499 | 0.321 |
| COLOR 2      | 21-25   | L24         | Scarlet              | 0.561 | 0.296 |
| COLOR 3      | 26-30   | L164        | Flame Red            | 0.659 | 0.302 |
|              | 31-35   | RESERVE     | Easy White           | 0.389 | 0.344 |
|              | 36-40   | RESERVE     | Warm Peach           | 0.448 | 0.353 |
| COLOR 4      | 41-45   | L08         | Dark Salmon          | 0.498 | 0.347 |
| COLOR 5      | 46-50   | L25         | Sunset Red           | 0.566 | 0.359 |
|              | 51-55   | RESERVE     | Medium Bastard Amber | 0.37  | 0.335 |
| COLOR 6      | 56-60   | L237        | CID(To Tungsten)     | 0.43  | 0.365 |
| COLOR 7      | 61-65   | R321        | Soft Golden Amber    | 0.477 | 0.406 |
| COLOR 8      | 66-70   | L652        | Urban Sodium         | 0.535 | 0.399 |
|              | 71-75   | RESERVE     | LCT Yellow(Y1)       | 0.34  | 0.363 |
| COLOR 9      | 76-80   | L765        | LEE Yellow           | 0.389 | 0.412 |
| COLOR 10     | 81-85   | L513        | Ice And A Slice      | 0.38  | 0.447 |
|              | 86-90   | RESERVE     | Spring Yellow        | 0.41  | 0.502 |
|              | 91-95   | RESERVE     | LEE Plus Green       | 0.324 | 0.388 |
|              | 96-100  | RESERVE     | CalColor 30 Green    | 0.318 | 0.44  |
|              | 101-105 | RESERVE     | Fern Green           | 0.234 | 0.543 |
| COLOR 11     | 106-110 | L90         | Dark Yellow Green    | 0.184 | 0.641 |
|              | 111-115 | RESERVE     | LEE Fluorescent3600K | 0.286 | 0.37  |
| COLOR 12     | 116-120 | R92         | Tuiquoise            | 0.235 | 0.36  |
|              | 121-125 | RESERVE     | Kelly Green          | 0.185 | 0.459 |
|              | 126-130 | RESERVE     | Forest Green         | 0.162 | 0.496 |
|              | 131-135 | RESERVE     | Cosmetic Aqua Blue   | 0.3   | 0.318 |
| COLOR 13     | 136-140 | L728        | Steel Green          | 0.256 | 0.302 |
| COLOR 14     | 141-145 | L117        | Steel Blue           | 0.223 | 0.278 |
| COLOR 15     | 146-150 | L354        | Special Steel Blue   | 0.173 | 0.265 |
|              | 151-155 | RESERVE     | Paler Lavender       | 0.284 | 0.284 |
| COLOR 16     | 156-160 | L501        | New Colour Blue      | 0.246 | 0.249 |
| COLOR 17     | 161-165 | L174        | Dark Steel Blue      | 0.204 | 0.205 |
|              | 166-170 | RESERVE     | Daylight Blue        | 0.159 | 0.158 |
|              | 171-175 | RESERVE     | Pale Lavender        | 0.288 | 0.254 |
|              | 176-180 | RESERVE     | Surprise Pink        | 0.24  | 0.183 |
| COLOR 18     | 181-185 | L142        | Pale Violet          | 0.209 | 0.148 |
|              | 186-190 | RESERVE     | Perfect Lavender     | 0.177 | 0.07  |
|              | 191-195 | RESERVE     | Light Pink           | 0.335 | 0.289 |
| COLOR 19     | 196-200 | L794        | Pretty'n Pink        | 0.335 | 0.251 |
| COLOR 20     | 201-205 | L328        | Follies Pink         | 0.335 | 0.18  |
|              | 206-210 | RESERVE     | Magical Magenta      | 0.327 | 0.138 |
|              | 211-215 | RESERVE     | Pale Rose            | 0.35  | 0.318 |
| COLOR 21     | 216-220 | L127        | Smokey Pink          | 0.397 | 0.265 |
| COLOR 22     | 221-225 | L192        | Flesh Pink           | 0.41  | 0.237 |
|              | 226-230 | RESERVE     | Special Rose Pink    | 0.465 | 0.193 |
|              | 231-235 | RESERVE     | Moroccan Pink        | 0.378 | 0.324 |
| COLOR 23     | 236-240 | L157        | Pink                 | 0.457 | 0.272 |
| COLOR 24     | 241-245 | R332        | Cherry Rose          | 0.489 | 0.295 |
|              | 246-250 | RESERVE     | Cool LED Bright Pink | 0.57  | 0.263 |
|              | 251-255 | NO FUNCTION |                      |       |       |